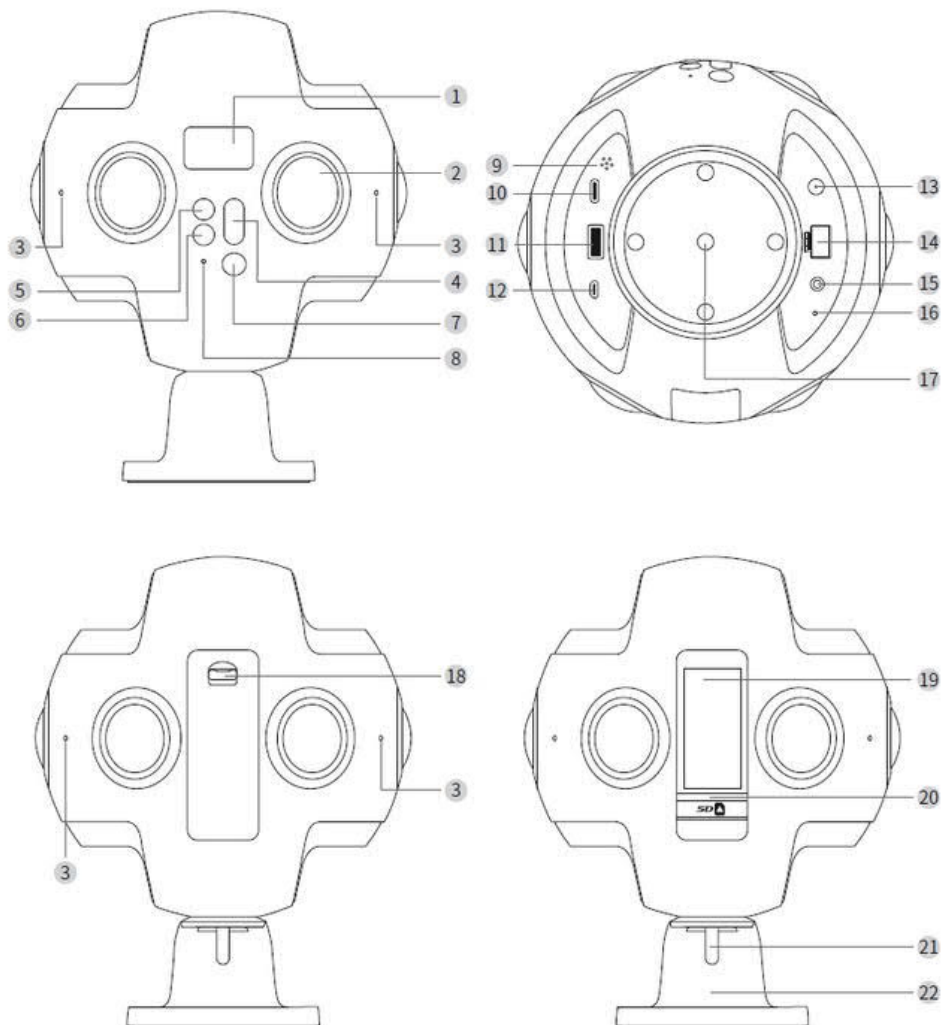


Insta360 Pro



- 1 OLED display
- 2 Lens
- 3 Microphone/Operation status indicator
- 4 Switch key
- 5 Return key
- 6 Setting key
- 7 Power/Enter key
- 8 Power indicator
- 9 Speaker
- 10 USB Type-C port
- 11 USB 3.0 port
- 12 HDMI 2.0 Type D port
- 13 DC Power port
- 14 LAN port
- 15 3.5mm Audio input port
- 16 Reset pinhole
- 17 Standard 1/4" bolt
- 18 Battery hatch release
- 19 Battery slot
- 20 SD card slot
- 21 Bolt
- 22 Fixed base

Specification parameter

Specification	parameter
Lenses	6×200°F2.4 fish-eye lenses
Maximum resolution of single-lens photograph	4000×3000
360°panoramic photo shooting	Real-time Stitching / Post-Processing Stitching, 7680*3840 (8K) at the maximum.
360°panoramic video recording	Real-time Stitching in the camera, 3840×1920@30fps (4K) at the maximum. Post-Processing Stitching, 7680×3840@60fps (8K) at the maximum.
360°3D panoramic photo shooting	Real-time Stitching / Post-Processing Stitching, 7680×7680 (8K 3D) at the maximum.
360°panoramic video recording	Real-time Stitching in the camera, 3840×3840@24fps (4k) at the maximum. Post-Processing Stitching, 6400*6400@30fps (6k) at the maximum.
File format	Photo: JPG, RAW Video: MP4
Storage support	SD card over V30 speed level/USB3.0 mobile HDD that meets the SD official standards(SSD mobile HDD is recommended)
Power and endurance	5100mAh removable battery (endurance time about 50min) 12V/5A power adapter (Continuous recording for several hours at room temperature)
Port performance	Standard USB3.0 Standard USB Type-c HDMI 2.0 Type D port Standard network port 1/4fixed tapped hole
Audio recording	Built-in Mic×4 External 3.5 standard audio input port
Power	12V/5A
Camera weight (containing battery)	About 1.25kg
Camera size	Sphere diameter of 143mm