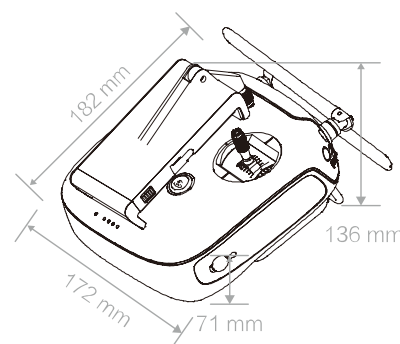
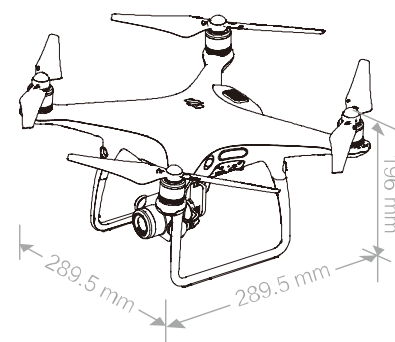


PHANTOM 4 PRO

Specifications

• Aircraft		
Weight (Battery & Propellers Included)	1388 g	
Max Ascent Speed	S-mode: 6 m/s; P-mode: 5 m/s	
Max Descent Speed	S-mode: 4 m/s; P-mode: 3 m/s	
Max Speed	45 mph (72 kph) (S-mode); 36mph (58 kph) (A-mode); 31 mph (50 kph) (P-mode)	
Max Service Ceiling Above Sea Level	19685 ft (6000 m)	
Max Flight Time	Approx. 30 minutes	
Operating Temperature	32° to 104° F (0° to 40° C)	
Satellite Positioning Systems	GPS/GLONASS	
Hover Accuracy Range	Vertical: ±0.1 m (With Vision Positioning); ±0.5 m (With GPS Positioning) Horizontal: ±0.3 m (With Vision Positioning); ±1.5 m (With GPS Positioning)	
• Gimbal		
Controllable Range	Pitch: -90° to +30°	
• Vision System		
Velocity Range	≤31 mph (50 kph) at 6.6 ft (2 m) above ground	
Altitude Range	0 - 33 ft (0 - 10 m)	
Operating Range	0 - 33 ft (0 - 10 m)	
Obstacle Sensory Range	2 - 98 ft (0.7 - 30 m)	
Operating Environment	Surfaces with clear patterns and adequate lighting (> 15 lux)	
• Infrared Sensing System		
Obstacle Sensory Range	0.6 - 23 ft (0.2 - 7 m)	
Operating Environment	Surface with diffuse reflection material, and reflectivity > 8% (such as wall, trees, humans, etc.)	
• Camera		
Sensor	1" CMOS; Effective pixels: 20M	
Lens	FOV (Field of View) 84°, 8.8 mm (35 mm format equivalent: 24 mm), f/2.8 - f/11, auto focus at 1 m - ∞	
ISO Range	Video: 100 - 3200 (Auto); 100 - 6400 (Manual); Photo: 100 - 3200 (Auto); 100 - 12800 (Manual)	
Mechanical Shutter	8 - 1/2000 s	
Electronic Shutter	8 - 1/8000 s	
Max Image Size	3:2 Aspect Ratio: 5472×3648; 4:3 Aspect Ratio: 4864×3648; 16:9 Aspect Ratio: 5472×3078	
Still Photography Modes	Single Shot Burst Shooting: 3/5/7/10/14 frames Auto Exposure Bracketing (AEB): 3/5 bracketed frames at 0.7EV Bias Interval: 2/3/5/7/10/15/30/60 s	
Video Recording Modes	H.265 •C4K: 4096×2160 24/25/30p •4K: 3840×2160 24/25/30p •2.7K: 2720×1530 24/25/30/48/50/60p •FHD: 1920×1080 24/25/30/48/50/60/120p •HD: 1280×720 24/25/30/48/50/60/120p	H.264 •C4K: 4096×2160 24/25/30/48/50/60p •4K: 3840×2160 24/25/30/48/50/60p •2.7K: 2720×1530 24/25/30/48/50/60p •FHD: 1920×1080 24/25/30/48/50/60/120p •HD: 1280×720 24/25/30/48/50/60/120p
Video Storage Bitrate	100 Mbps	
Supported File Systems	FAT32 (≤ 32 GB); exFAT (> 32 GB)	
Photo	JPEG, RAW (DNG), JPEG + RAW	
Video	MP4/MOV (AVC/H.264; HEVC/H.265)	
Supported SD Cards	Micro SD, Max Capacity: 128 GB. Class 10 or UHS-1 rating required	
Operating Temperature	32° to 104° F (0° to 40° C)	
• Remote Controller		
Operating Frequency	2.400 - 2.483 GHz and 5.725 - 5.825 GHz	
Max Transmission Distance	FCC: 4.3 mi (7 km); CE: 2.2 mi (3.5 km); 3.1 mi (5 km) (Unobstructed, free of interference)	
Operating Temperature	32° - 104° F (0° - 40° C)	
Battery	6000 mAh LiPo 2S	
Transmitter Power (EIRP)	2.4 GHz: 26 dBm (FCC); 17 dBm (CE); 20 dBm (SRRC) 5.8 GHz: 28 dBm (FCC); 14 dBm (CE); 20 dBm (SRRC)	
Operating Voltage	1.2 A @ 7.4 V	
• Charger		
Voltage	17.4 V	
Rated Power	100 W	
• Intelligent Flight Battery (PH4-5870mAh-15.2V)		
Capacity	5870 mAh	
Voltage	15.2 V	
Battery Type	LiPo 4S	
Energy	89.2 Wh	
Net Weight	468 g	
Charging Temperature Range	41° to 104° F (5° to 40° C)	
Max Charging Power	100 W	



Download the user manual for more information:
<http://www.dji.com/phantom-4-pro>

※ This Quick Start Guide is subject to change without prior notice.



PHANTOM™ and DJI™ are trademarks of DJI.
 Copyright © 2016 DJI All Rights Reserved.

Designed by DJI. Printed in China.