

Attocube Pinout

September 8, 2020

Ville Nuutinen, Wiring department
ville.nuutinen@bluefors.com

Table of Contents

- 1 Connector Contact Numbering 1
- 2 Bluefors DC-line pinout 2

1 Connector Contact Numbering

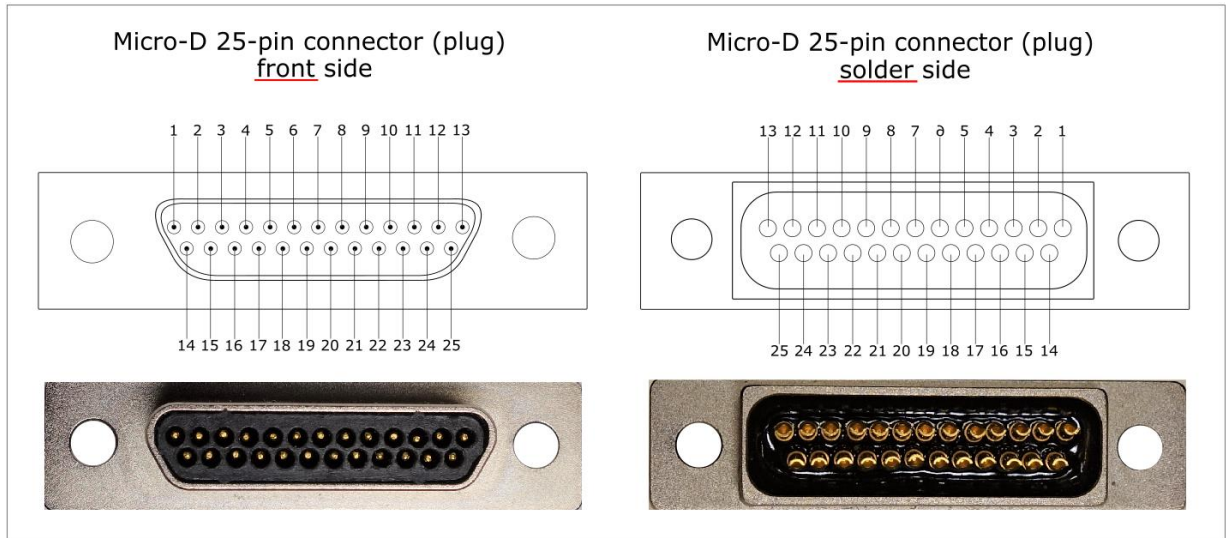


Figure 1: Micro-D 25-pin PLUG-connector.

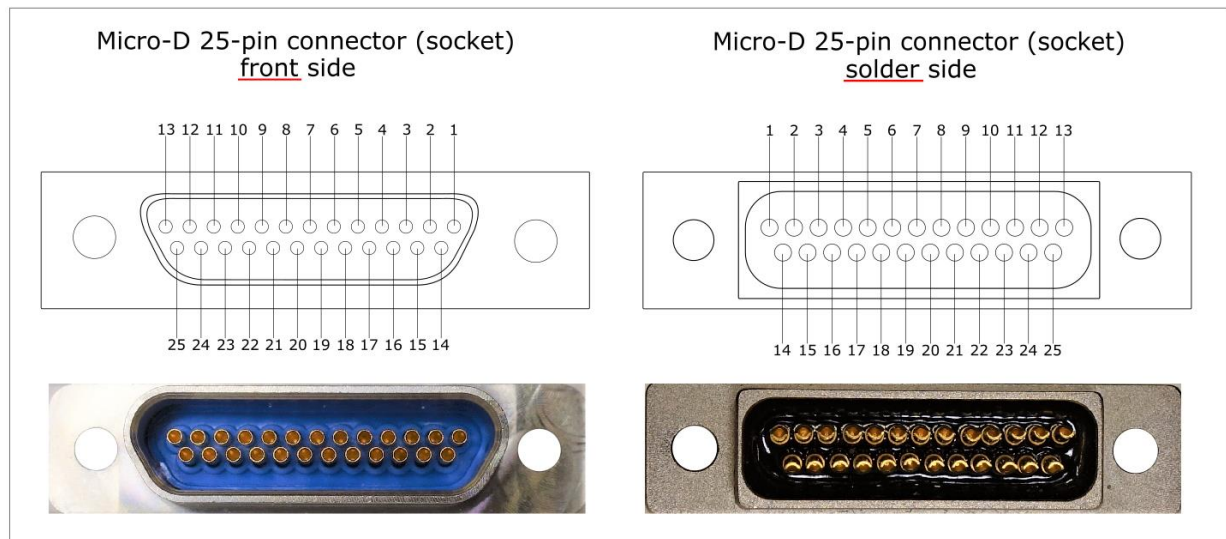


Figure 2: Micro-D 25-pin SOCKET-connector.

2 Bluefors DC-line pinout

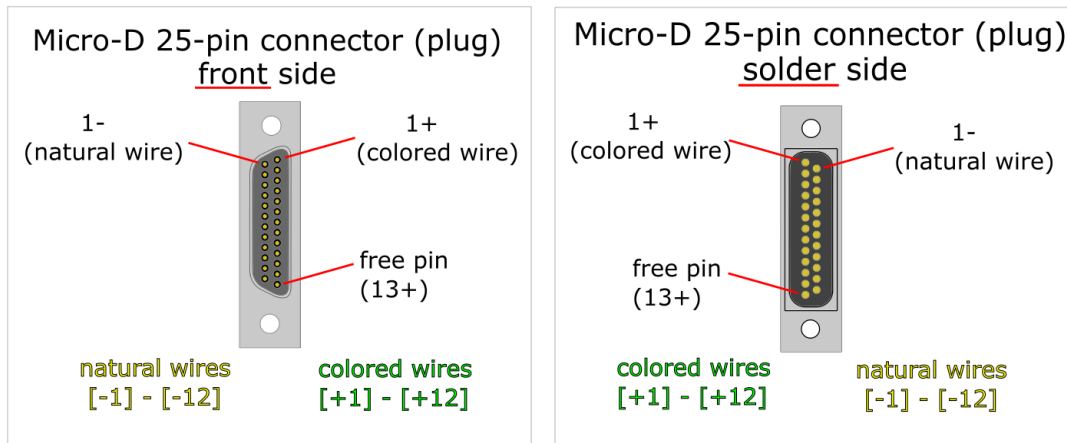


Figure 3: Wire pair order for Micro-D 25-pin PLUG-connector.

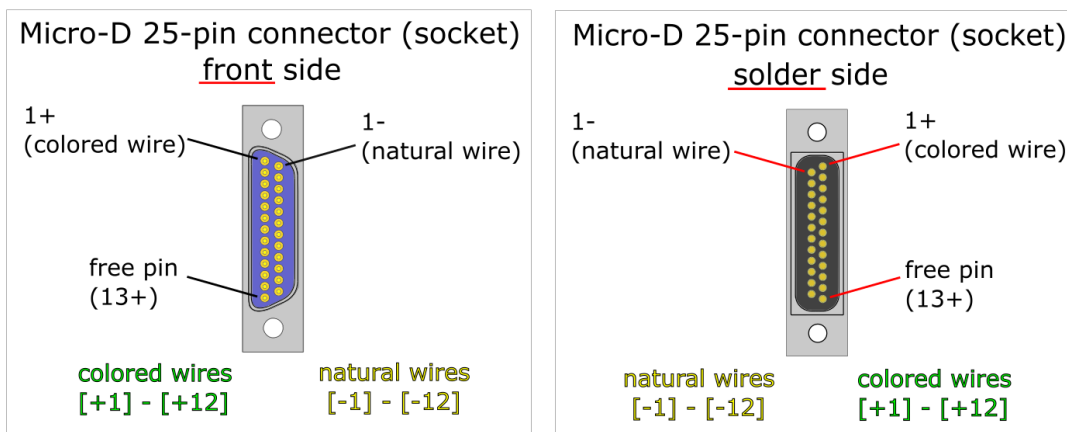


Figure 4: Wire pair order for Micro-D 25-pin SOCKET-connector.

RT-4K

	Micro-D 25 Plug		Fischer 24-pin
Thick Cu (26 AWG) Micro-D pins 1,14,2,15,3,16	1	PAIR	1
	14		2
	2	PAIR	3
	15		4
	3	PAIR	5
	16		6
	4	PAIR	7
	17		8
	5	PAIR	9
	18		10
	6	PAIR	11
	19		12
	7	PAIR	13
	20		14
	8	PAIR	15
	21		16
9	PAIR	17	
22		18	
10	PAIR	19	
23		20	
11	PAIR	21	
24		22	
12	PAIR	23	
25		24	
	13		

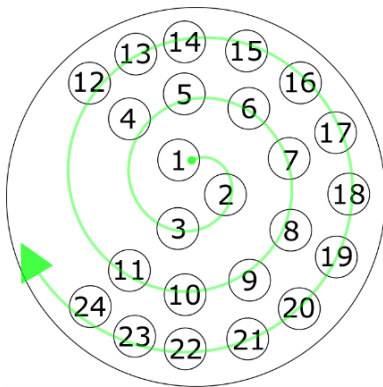


Figure 5: Wire order for soldering Fischer SOCKET connector (solder side).

Figure 6: RT-4K Attocube wiring table.

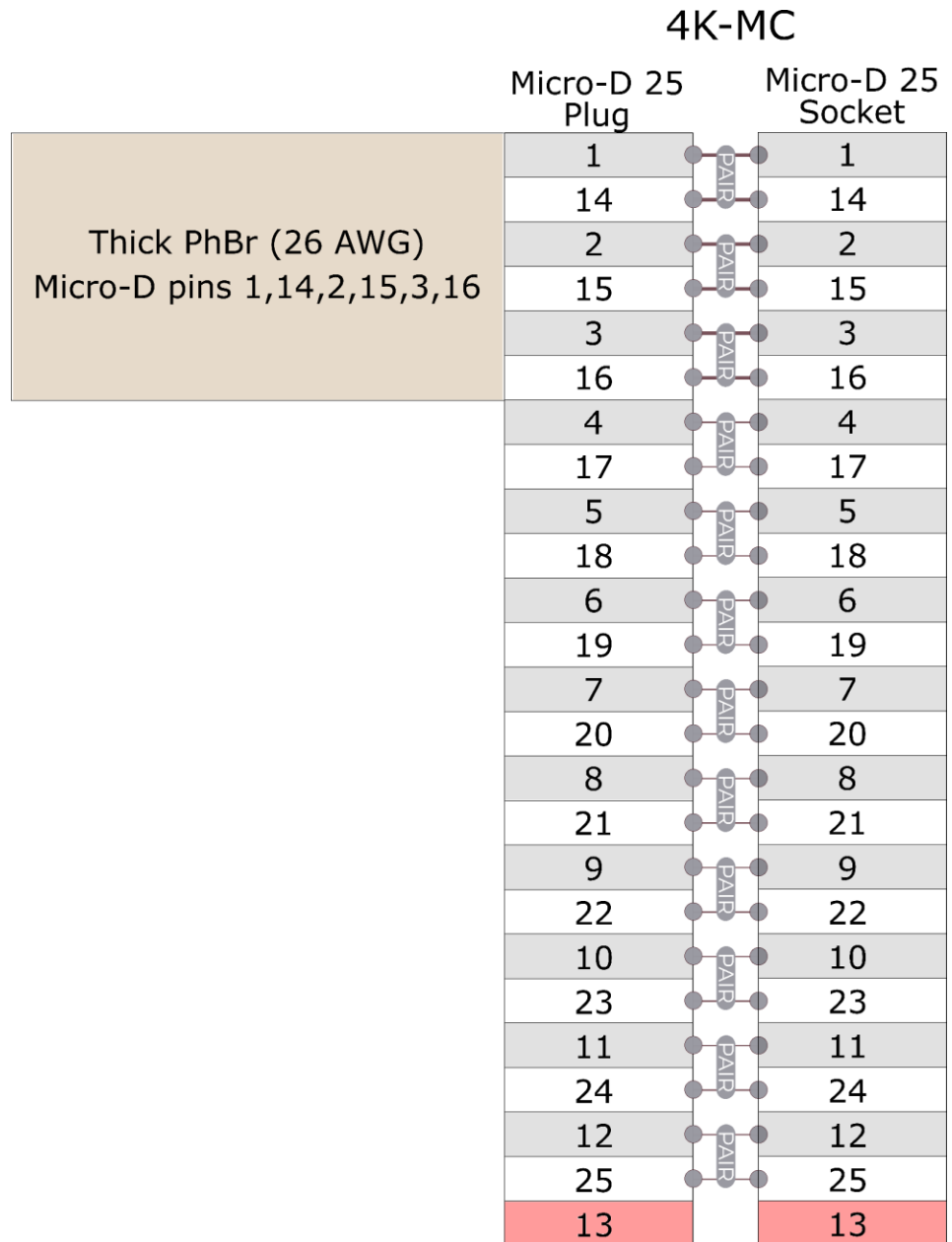


Figure 7: 4K-MC Attocube wiring table.